

December 15th, 2021 - Revision R001

PRODUCT CHANGE NOTIFICATION

PCN004/2021 – SELF-ALIGNING PRESSFIT BEARING CHANGE IN ANTI-ROTATIONS KITS

1. PCN OVERVIEW

PRODUCT AFFECTED	All anti-rotation system: 03931, 03945, 04348, 04591, 04617, 04637, 04654, 04673, 04698, 04702, 04712, 04723, 04885, 04902, 04914, 04925, 04935, 04941, 04993, 05453, 05458, 05462, 05464, 05467, 05472 06207 and 06285.		
NEW PART NUMBER (if applicable)	Not applicable		
TYPE OF CHANGE	<input type="checkbox"/> MAJOR	<input checked="" type="checkbox"/> MINOR	<input type="checkbox"/> OBSOLESCENCE
CHANGE AFFECTS	<input checked="" type="checkbox"/> FORM	<input type="checkbox"/> FIT	<input type="checkbox"/> FUNCTION
	<input checked="" type="checkbox"/> RELIABILITY	<input type="checkbox"/> OTHER	

2. DETAILED CHANGE INFORMATION

The self-aligning pressfit bearing was changed to a heavy-duty clip bearing in all anti-rotation kits, used with the product Track Controller. This new part has better performance and reliability.



Old part: ECLM-10-03



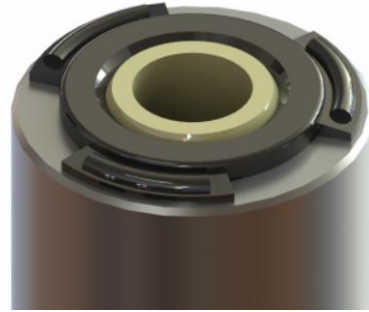
New part: ECLM-10-03-HD

3. IDENTIFICATION OF AFFECTED PRODUCT

The change can be identified visually through the new part installed in the anti-rotation system.



New part installed in anti-rotation bracket



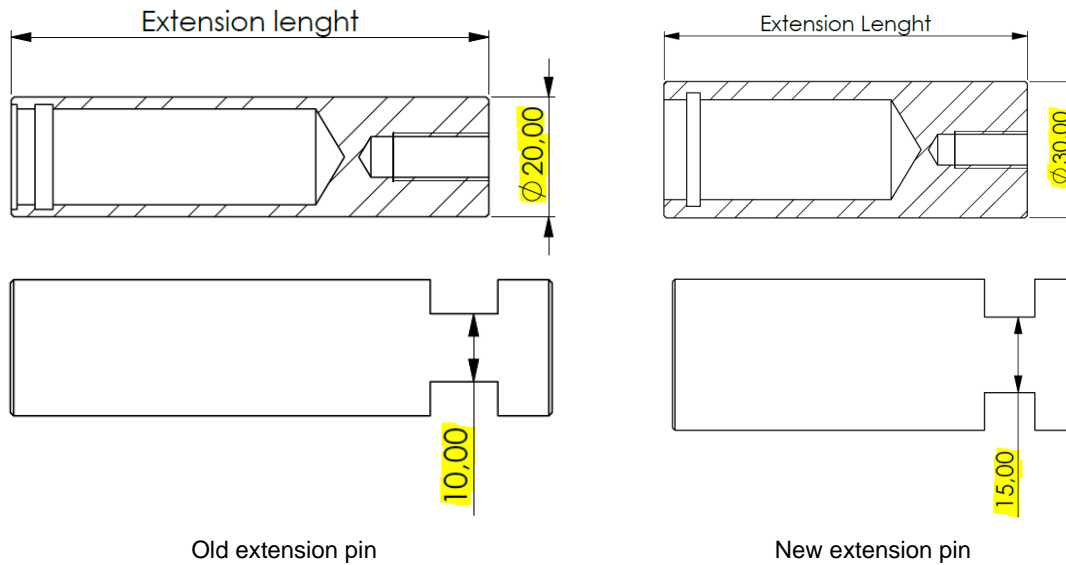
New part installed in anti-rotation pin extension

4. REASON FOR CHANGE

This new part is more reliable and it fits better in the bracket, avoiding popping out during the Track Controller operation.

5. IMPACTS OF THE CHANGE

The internal diameter is the same in both parts (10mm), so it is fully compatible with the anti-rotation pins currently used. However, the pin extension suffered an increase in external diameter, from 20 to 30mm. It was necessary to fit the new part in the pin extension. The chamfer for the wrench also suffered an increase, from 10 to 15mm.



6. PROPOSED FIRST SHIP DATE: Q2/2022

The Proposed First Ship Date is the forecasted date that a customer may expect to receive the changed products. Both versions can be mixed until the old stock ends.

7. MORE INFORMATION

For more information, please contact your Hexagon Agriculture sales/technical support person.